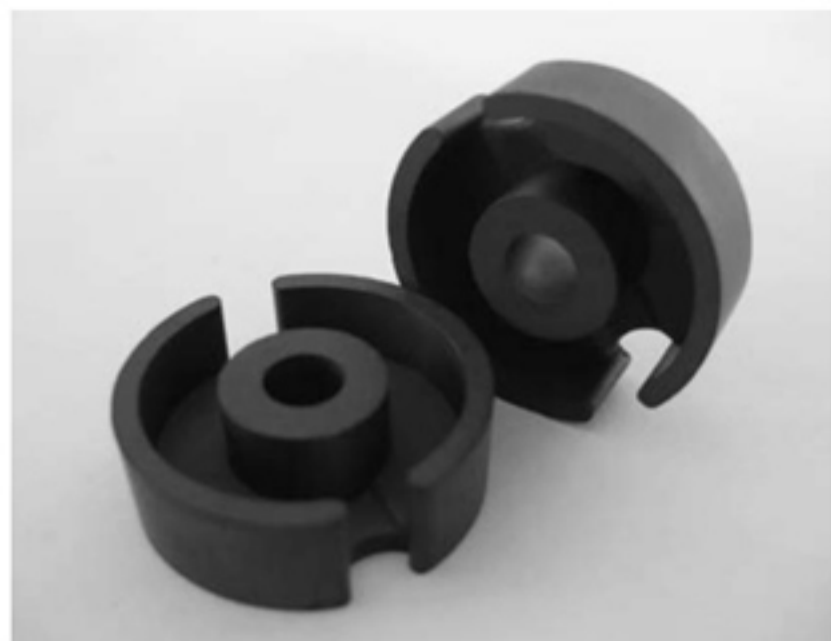
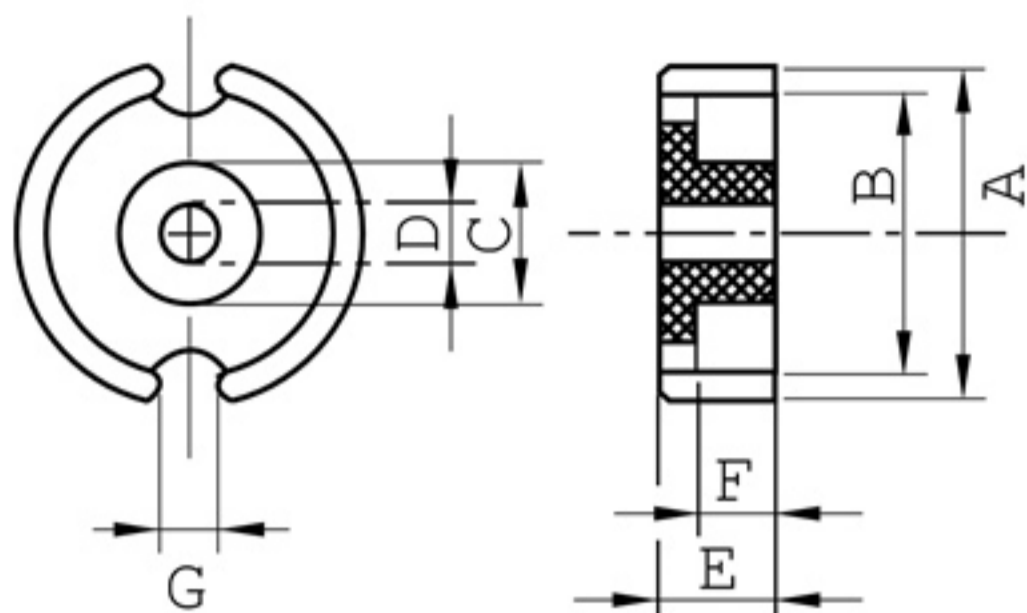


罐型磁芯



适用材料MXD-2000 R2KB R2KB1等

型号	A (mm)	B _{min} (mm)	C _{max} (mm)	D (mm)	F (mm)	E _{min} (mm)	G (g)
GU3.3	3.3	2.5	1.2	/	1.2	2.0	0.8
GU5.8	5.8	4.5	2.5	0.95	1.2	2.5	1.4
GU7×4A	7.4	5.8	3.0	1.4	1.4	2.15 _{-0.2}	1.7
GU9×6A	9.4 _{-0.5}	7.4	3.9	2.0 _{+0.2}	1.8	2.9 _{+0.3}	1.9
GU11×7A	11.4 _{-0.6}	8.9	4.7	2.0 _{+0.2}	2.2	3.5 _{+0.3}	1.9
GU14×9A	14.4 _{-0.9}	11.4	6.1	2.9 _{+0.3}	2.8	4.4 _{+0.4}	2.5
GU18×11A	18.6 _{-1.2}	14.6	7.8	2.9 _{+0.3}	3.6	5.2 _{+0.4}	3
GU22×13A	22.2 _{-1.2}	17.6	9.5	4.2 _{+0.5}	4.6	6.6 _{+0.4}	3.8
GU26×16A	26.2 _{-1.2}	21.0	11.7	5.2 _{+0.5}	5.5	7.9 _{+0.5}	4
GU30×19A	30.8 _{-1.6}	24.6	13.7	5.2 _{+0.5}	6.5	9.3 _{+0.5}	4
GU36×22A	36.5 _{-1.9}	29.5	16.3	5.2 _{+0.5}	7.3	10.7 _{+0.6}	4.8
GU42×26A	43.5 _{-2.2}	35.2	17.9	5.2 _{+0.5}	8.7	13.1 _{+0.6}	5
GU42×26A	43.1 _{-1.4}	35.2	17.9	5.2 _{+0.5}	10.1	14.6 _{+0.6}	5
GU48×30A	48.5 _{-2.4}	39.6	20.2	5.2 _{+0.5}	10.2	14.6 _{+0.6}	5
GU59×36	60.0 _{-2.5}	48.0	25.5	5.2 _{+0.5}	12.5	18.5 _{+0.6}	8
GU69×44	69.0 _{±2.0}	58.0	28.8	8.5 _{±0.5}	15.0	22.0 _{+0.8}	/

Soft ferrite cores 软磁铁氧体

罐型磁芯

软磁铁氧体

型号	C1 (mm ⁻¹)	Le (mm)	Ae (mm ²)	Ve (mm ³)	W (g)
GU7 × 4A	2.80	15.4	5.5	84.7	0.45
GU9 × 6A	1.203	12.3	10.2	127	0.8
GU11 × 7A	0.929	15.3	16.5	252	1.8
GU14 × 9A	0.752	19.1	25.8	492	3.2
GU18 × 11A	0.598	25.8	43.1	1110	6.0
GU22 × 13A	0.490	32.0	66.8	2120	12
GU26 × 16A	0.389	37.3	95.9	3580	20
GU30 × 19A	0.330	46.6	142	6600	34
GU36 × 22A	0.257	52.7	205	10800	64
GU42 × 26A	0.250	63.0	252	15900	100
GU42 × 29A	0.250	68.4	267	18200	105
GU48 × 30A	0.217	73.2	338	24700	130

性能参数

型号	MXD-2000			R2KB, R2KB1	NXO-100		
	A _L ≥ (nH/N ²)	品质因数		A _L ≥ (nH/N ²)	A _L ≥ (nH/N ²)	品质因数	
		Q ≥	f (MHz)			Q ≥	f (MHz)
GU9 × 6A	820	75	0.2	820	26	50	3.16
GU11 × 7A	1070	75	0.2	1070	97	100	
GU14 × 9A	1390	78	0.2	1500	112	120	
GU18 × 11A	1970	70	0.15	2100	150	130	
GU22 × 13A	2340	56	0.15	2850	180	130	
GU26 × 16A	2970	80	0.06	3000	225	130	
GU30 × 19A	3840	73	0.06	4300	300	130	
GU36 × 22A	5200	62	0.06	5500	375	130	
GU42 × 26A	6000	67	0.06	6000	/	/	
GU42 × 29A	/	/	/	6000	/	/	
GU48 × 30A	/	/	/	6600	/	/	