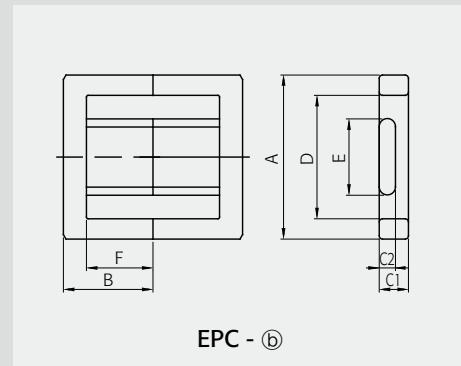
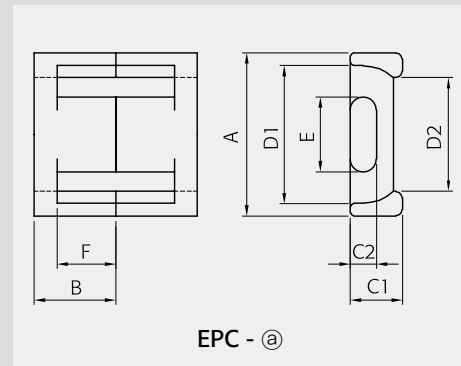
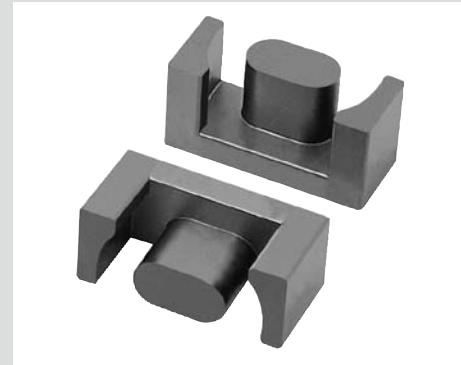


EPC CORES



Part No.	EPC1313S	EPC1715N	EPC1717S	EPC1720SH	
Type	EPC - (a)	EPC - (a)	EPC - (a)	EPC - (a)	
Dimensions in mm	A	13.30 ±0.30	17.60 ±0.40	17.60 ±0.40	16.85 ±0.35
	B	6.60 ±0.20	7.60 ±0.20	8.55 ±0.20	9.85 ±0.15
	C1	4.60 ±0.15	6.00 ±0.15	6.00 ±0.15	4.00 ±0.20
	C2	2.05 ±0.10	2.80 ±0.10	2.80 ±0.10	2.60 ±0.15
	D1	10.50 min.	14.30 min.	14.30 min.	13.80 ±0.30
	D2	8.30 min.	12.00 ±0.50	12.00 ±0.50	12.40 ±0.30
	E	5.60 ±0.15	7.70 ±0.15	7.70 ±0.15	8.20 ±0.20
	F	4.50 ±0.20	5.40 ±0.20	6.05 ±0.20	7.35 ±0.15

Core Set Parameters	EPC1313S	EPC1715N	EPC1717S	EPC1720SH
C1(mm ⁻¹)	2.460	1.650	1.760	2.563
Le(mm)	30.6	37.6	40.2	41.7
Ae(mm ²)	12.5	22.8	22.8	16.3
Ve(mm ³)	382	857	917	679
Ac(mm ²)	8.7	19.9	19.9	13.8
Aw(mm ²)	23.0	38.0	41.1	41.2
W(g/set)	2.0	4.3	4.5	3.5

Electrical Characteristics ⁽¹⁾⁽²⁾	AL value	PL-7	PL-9	PL-11	PL-13	PL-15
		Core loss	0.23	0.21	0.21	0.20
Electrical Characteristics ⁽¹⁾⁽²⁾ <th rowspan="2">Core loss</th> <td>0.51</td> <td>0.47</td> <td>0.47</td> <td>0.45</td> <td>0.43</td>	Core loss	0.51	0.47	0.47	0.45	0.43
		0.55	0.50	0.50	0.49	0.46
Electrical Characteristics ⁽¹⁾⁽²⁾ <th rowspan="2">Core loss</th> <td>0.41</td> <td>0.37</td> <td>0.37</td> <td>0.36</td> <td>0.34</td>	Core loss	0.41	0.37	0.37	0.36	0.34
		0.41	0.37	0.37	0.36	0.34

Note : 1) Core loss

- Unit : Watt max.
- Measuring conditions
- PL-7, PL-11, PL-15 : 100 kHz, 200mT, at 100°C
- PL-9, PL-13 : 100 kHz, 200mT, at 80°C

2) AL value

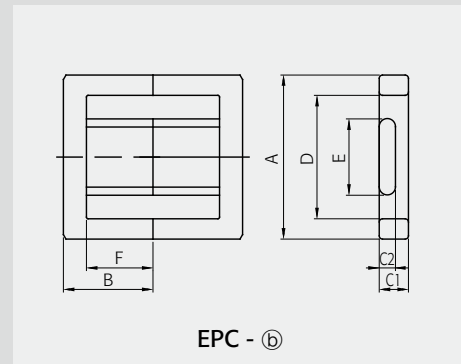
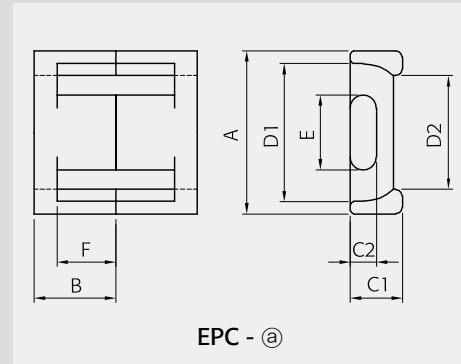
- Unit : nH/N²
- Measuring conditions : 1kHz, 0.1V, 23°C
- Tolerance : ±25%

	EPC1826W	EPC1920N	EPC1920S	EPC2228S	EPC2525S	EPC2732S	EPC3035S	EPC4643S	EPC4649S	
Type	EPC - (a)	EPC - (a)	EPC - (a)	EPC - (a)	EPC - (a)	EPC - (a)	EPC - (a)	EPC - (a)	EPC - (a)	
Dimensions in mm	A	18.50 ±0.30	19.60 ±0.50	19.10 ±0.50	21.90 ±0.30	25.10 ±0.50	27.10 ±0.50	30.10 ±0.50	46.00 ±0.70	46.00 ±0.70
	B	13.20 ±0.15	9.75 ±0.20	9.75 ±0.20	14.20 ±0.20	12.50 ±0.20	16.00 ±0.20	17.50 ±0.20	21.90 ±0.20	24.70 ±0.20
	C1	4.25 ±0.15	6.00 ±0.20	6.00 ±0.15	7.30 ±0.20	8.00 ±0.20	8.00 ±0.20	8.00 ±0.20	19.50 ±0.30	19.50 ±0.30
	C2	2.75 ±0.15	2.40 ±0.15	2.50 ±0.10	4.15 ±0.15	4.00 ±0.10	4.00 ±0.10	4.00 ±0.10	12.00 ±0.25	12.00 ±0.25
	D1(D)	13.10 min.	16.40 ±0.50	15.80 min.	16.90 ±0.20	20.65 min.	21.60 min.	23.60 min.	36.40 ±0.60	36.40 ±0.60
	D2	10.70 min.	13.40 ±0.50	13.60 ±0.50	14.80 min.	17.50 ±0.50	19.00 ±0.50	20.00 ±0.50	29.00 ±0.60	29.00 ±0.60
	E	9.10 ±0.15	8.30 ±0.20	8.50 ±0.15	9.50 ±0.15	11.50 ±0.20	13.00 ±0.30	15.00 ±0.30	21.00 ±0.30	21.00 ±0.30
	F	10.30 ±0.15	7.25 ±0.20	7.25 ±0.20	11.55 ±0.15	9.00 ±0.30	12.00 ±0.30	13.00 ±0.30	15.50 ±0.25	18.30 ±0.25

Core Set Parameters	EPC1826W	EPC1920N	EPC1920S	EPC2228S	EPC2525S	EPC2732S	EPC3035S	EPC4643S	EPC4649S
C1(mm ⁻¹)	2.630	1.890	2.030	1.380	1.270	1.426	1.320	0.441	0.486
Le(mm)	62.0	43.3	46.1	50.8	59.2	70.1	81.6	100	110.4
Ae(mm ²)	23.6	23.0	22.7	36.7	46.4	49.1	61.0	227	227
Ve(mm ³)	1460	996	1047	1864	2747	3441	5035	22700	25060
Ac(mm ²)	15.8	19.3	20.0	39.0	42.6	48.6	56.6	221	221
Aw(mm ²)	44.3	59.5	54.4	83.0	90.3	108.0	117.0	238.7	281.8
W(g/set)	6.8	5.6	5.2	12	13	18	23	122	134

Electrical Characteristics ⁽¹⁾⁽²⁾	AL value	PL-7	PL-9	PL-11	PL-13	PL-15
		Core loss	0.88	0.80	0.80	0.77
Electrical Characteristics ⁽¹⁾⁽²⁾ <th rowspan="2">Core loss</th> <td>0.60</td> <td>0.55</td> <td>0.55</td> <td>0.53</td> <td>0.50</td>	Core loss	0.60	0.55	0.55	0.53	0.50
		0.63	0.58	0.58	0.55	0.52
Electrical Characteristics ⁽¹⁾⁽²⁾ <th rowspan="2">Core loss</th> <td>1.12</td> <td>1.03</td> <td>1.03</td> <td>0.99</td> <td>0.93</td>	Core loss	1.12	1.03	1.03	0.99	0.93
		1.65	1.51	1.51	1.46	1.37
Electrical Characteristics ⁽¹⁾⁽²⁾ <th rowspan="2">Core loss</th> <td>2.28</td> <td>2.09</td> <td>2.09</td> <td>2.02</td> <td>1.90</td>	Core loss	2.28	2.09	2.09	2.02	1.90
		3.02	2.77	2.77	2.67	2.52
Electrical Characteristics ⁽¹⁾⁽²⁾ <th rowspan="2">Core loss</th> <td>13.62</td> <td>12.49</td> <td>12.49</td> <td>12.03</td> <td>11.35</td>	Core loss	13.62	12.49	12.49	12.03	11.35
		15.04	13.78	13.78	13.28	12.53

EPC CORES



Part No.	EPC5050S	EPC5055S	
Type	EPC - (a)	EPC - (b)	
Dimensions in mm	A	50.50 ±0.70	50.50 ±0.70
	B	25.60 ±0.30	27.60 ±0.30
	C1	9.00 ±0.30	9.00 ±0.30
	C2	5.00 ±0.10	5.00 ±0.10
	D1	38.00 ±0.70	38.00 ±0.70
	D2		
	E	23.50 ±0.40	23.50 ±0.40
F	18.50 ±0.30	20.50 ±0.30	

Core Set Parameters	C1(mm ⁻¹)	0.995	0.995
	Le(mm)	113.7	114.0
	Ae(mm ²)	114.3	114.3
	Ve(mm ³)	12990	13030
	Ac(mm ²)	105	105
	Aw(mm ²)	268.3	297
	W(g/set)	70	78

Electrical Characteristics ⁽¹⁾⁽²⁾	Al value	PL-7	2400	2100
		PL-9	3000	2650
		PL-11	2500	2200
		PL-13	3200	2800
		PL-15	2500	2200
	Core loss	PL-7	7.79	8.50
		PL-9	7.14	7.79
		PL-11	7.14	7.79
		PL-13	6.88	7.51
		PL-15	6.50	7.09

Note : 1) Core loss

- Unit : Watt max.

- Measuring conditions

PL-7, PL-11, PL-15 : 100 kHz, 200mT, at 100°C

PL-9, PL-13 : 100 kHz, 200mT, at 80°C

2) Al value

- Unit : nH/N²

- Measuring conditions : 1kHz, 0.1V, 23°C

- Tolerance : ±25%