



TAI-SAW TECHNOLOGY CO., LTD.

No. 3, Industrial 2nd Rd., Ping-Chen Industrial District,
Taoyuan, 324, Taiwan, R.O.C.

TEL: 886-3-4690038 FAX: 886-3-4697532

E-mail: tstsales@mail.taisaw.com Web: www.taisaw.com

Product Specifications Approval Sheet

Product Description: SAW Filter 428 MHz SMD 3.8X3.8 mm(BW=3.9MHz)

TST Part No.: TA0577B

Customer Part No.: _____

Customer signature required
Company: _____
Division: _____
Approved by : _____
Date: _____

Checked by: _____ Anne Chen *Anne Chen*

Approved by: _____ Andy Yu *Andy Yu*

Date: _____ 2018 . 10 . 30

1. Customer signed back is required before TST can proceed with sample build and receive orders.
2. Orders received without customer signed back will be regarded as agreement on the specifications.
3. Any specifications changes must be approved upon by both parties and a new revision of specifications shall be released to reflect the changes.



TAI-SAW TECHNOLOGY CO., LTD.

No. 3, Industrial 2nd Rd., Ping-Chen Industrial District,
Taoyuan, 324, Taiwan, R.O.C.

TEL: 886-3-4690038 FAX: 886-3-4697532

E-mail: tstsales@mail.taisaw.com Web: www.taisaw.com

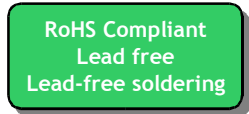
SAW Filter 428 MHz

MODEL NO.: TA0577B

REV. NO.:2

A. MAXIMUM RATING:

1. Input Power Level: 10 dBm
2. DC voltage: 3 V
3. Operating Temperature: -40°C to +85°C
4. Storage Temperature: -40°C to +85°C
5. Moisture Sensitivity Level: Level 1 (MSL 1)
6. ESD 100V(MM) 200V(HBM)

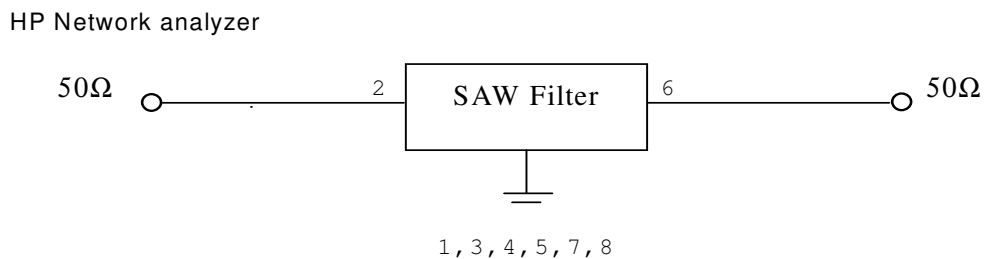


Electrostatic Sensitive Device (ESD)

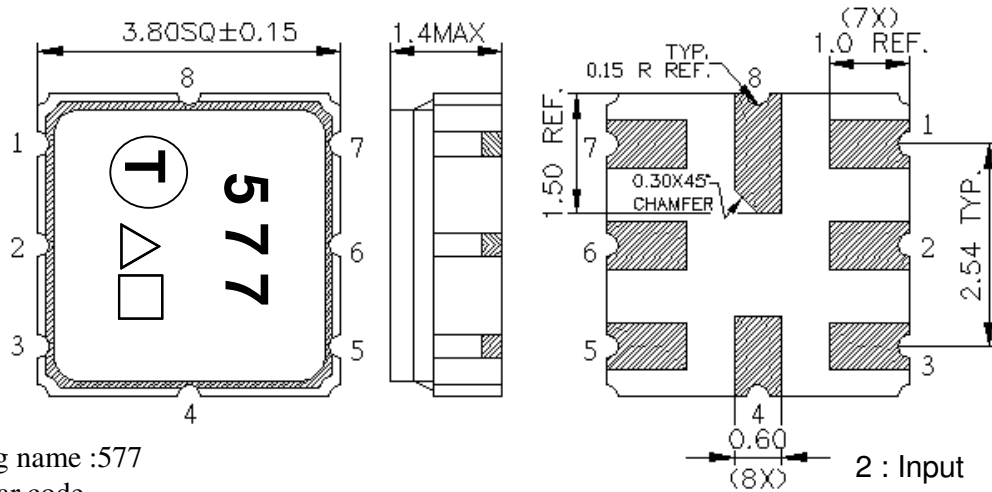
B. ELECTRICAL CHARACTERISTICS:

Item	Unit	Min.	Typ.	Max.
Center frequency F_o	MHz	-	428	-
Insertion Loss (426.025~429.925 MHz)	dB	-	2	3.6
Amplitude Ripple (426.025~429.925 MHz)	dB	-	0.5	2.1
Attenuation (Reference level from 0 dB)				
1 ~ 391 MHz	dB	40	68	-
391 ~ 406.5 MHz	dB	31	66	-
406.5 ~ 417.9 MHz	dB	10	48	-
461 ~ 481 MHz	dB	35	65	-
481 ~ 555 MHz	dB	40	64	-
Input/Output VSWR (426.025~429.925 MHz)		-	1.3	2.2
Source impedance Z_s	Ω	-	50	-
Load impedance Z_L	Ω	-	50	-

C. MEASUREMENT CIRCUIT:



D. OUTLINE DRAWING:



Marking name :577

△ : year code

This table is two-year cycle (ex: Year 2025, △will show “A”)

Product Year Code

Year	2017 2021	2018 2022	2019 2023	2020 2024
Product Code	A	a	A	a

2 : Input

6 : Output

1,3,4,5,7,8 : Ground

□ : Date Code

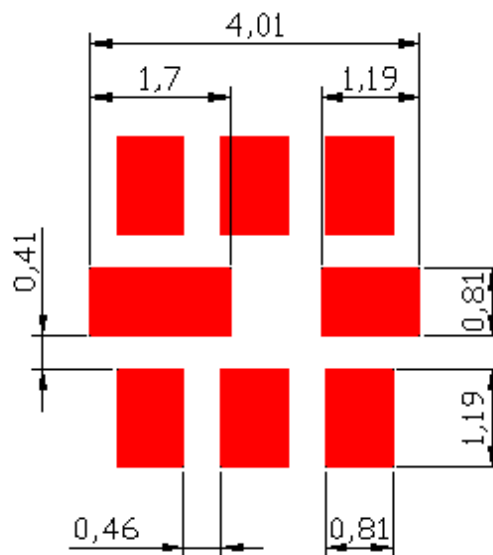
Unit: mm

□ : Date Code (Follow the table from planner each year)

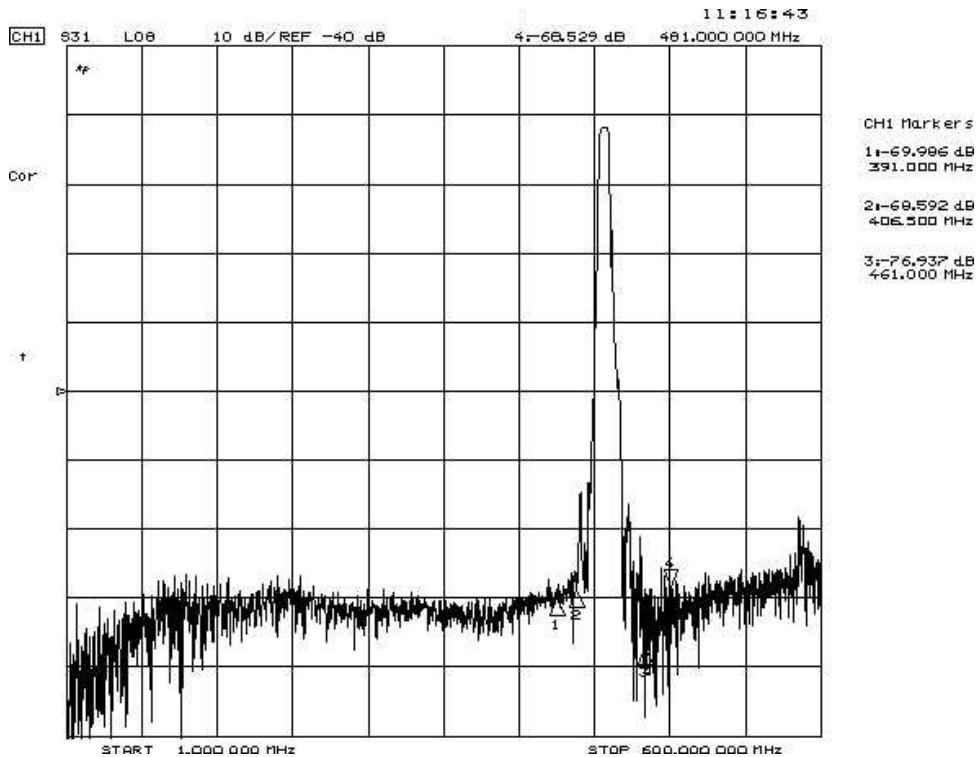
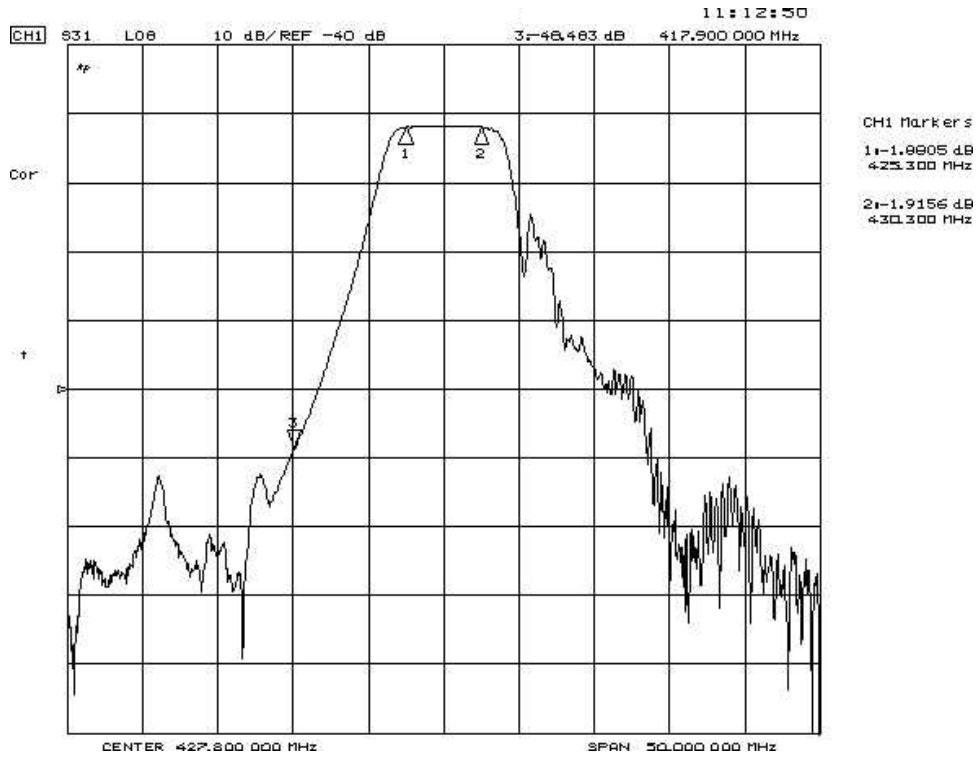
Date Code Table

WK01	WK02	WK03	WK04	WK05	WK06	WK07	WK08	WK09	WK10	WK11	WK12	WK13
A	B	C	D	E	F	G	H	I	J	K	L	M
WK14	WK15	WK16	WK17	WK18	WK19	WK20	WK21	WK22	WK23	WK24	WK25	WK26
N	O	P	Q	R	S	T	U	V	W	X	Y	Z
WK27	WK28	WK29	WK30	WK31	WK32	WK33	WK34	WK35	WK36	WK37	WK38	WK39
a	b	c	d	e	f	g	h	i	j	k	l	m
WK40	WK41	WK42	WK43	WK44	WK45	WK46	WK47	WK48	WK49	WK50	WK51	WK52
n	o	p	q	r	s	t	u	v	w	x	y	z

E. PCB Footprint:

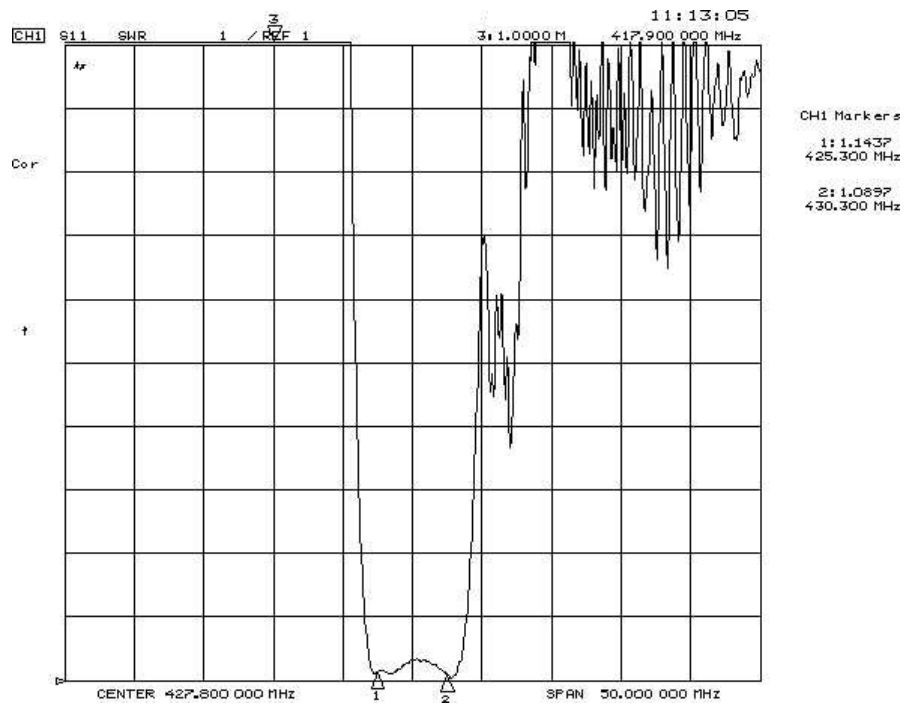


F. Frequency Characteristics : Transfer function

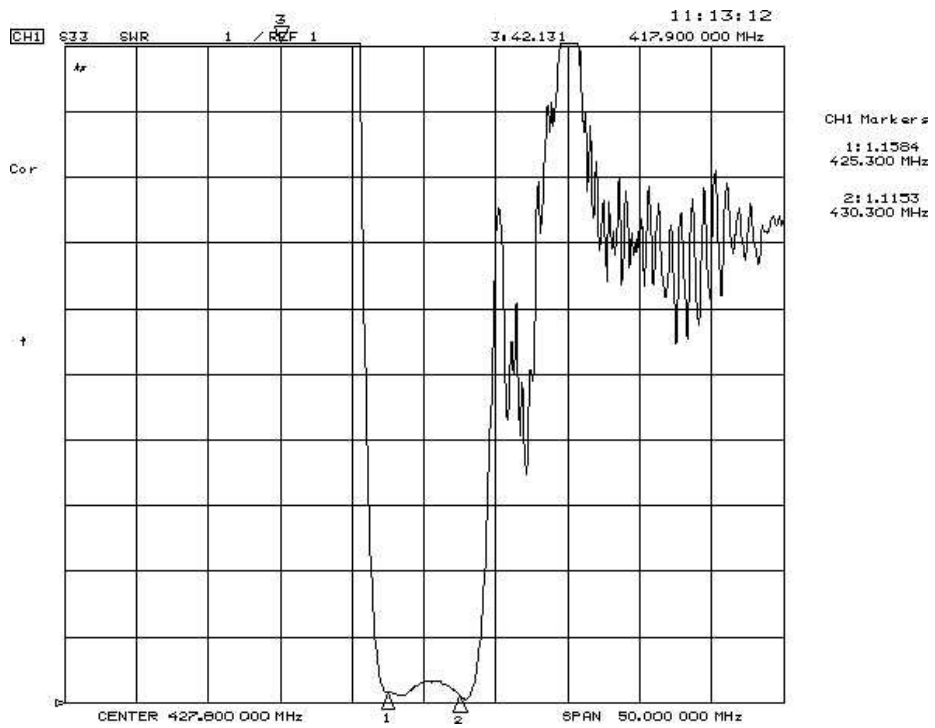


Reflections Functions :

S11 VSWR



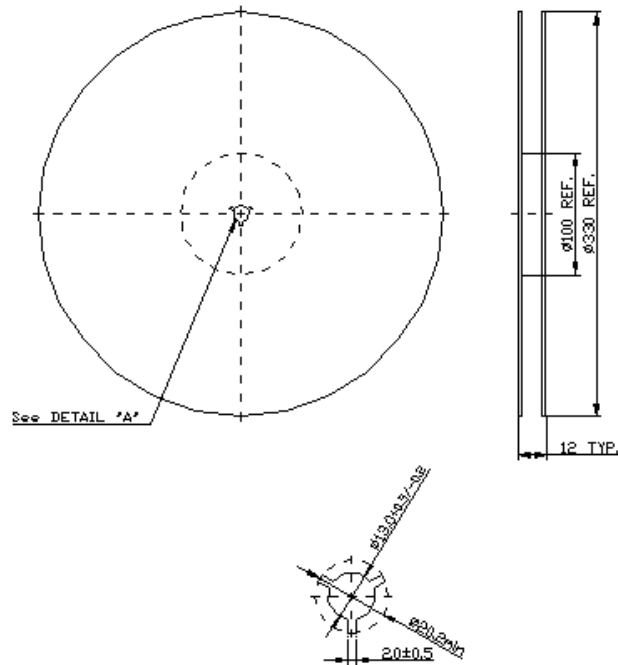
S22 VSWR



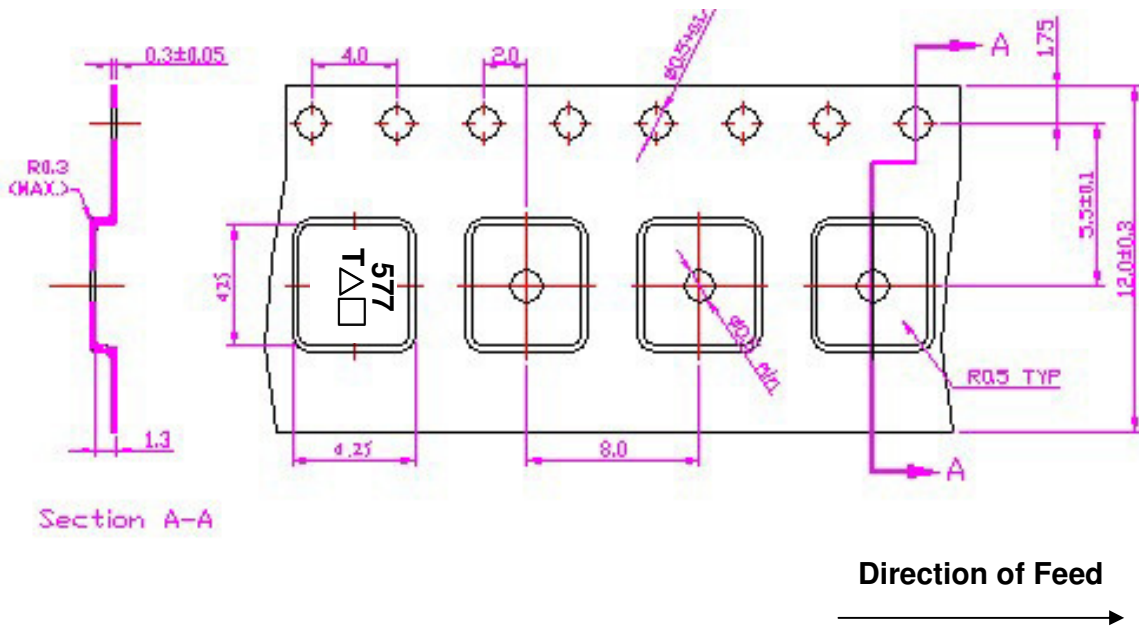
G. PACKING:

1. REEL DIMENSION

(Please refer to FR-75D10 for packing quantity)



2. TAPE DIMENSION



H. RECOMMENDED REFLOW PROFILE :

1. Preheating shall be fixed at 150~180°C for 60~90 seconds.
2. Ascending time to preheating temperature 150°C shall be 30 seconds min.
3. Heating shall be fixed at 220°C for 50~80 seconds and at 260°C+0/-5°C peak (20~40sec).
4. Time: 2 times.

