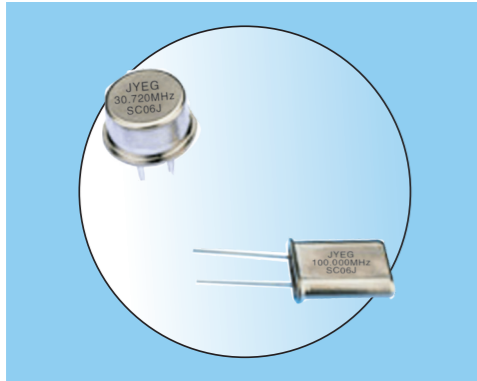


Quartz Crystals

SC CUT Crystal Unit / HC-37U HC-43U HC-45U

CRYSTAL



Features

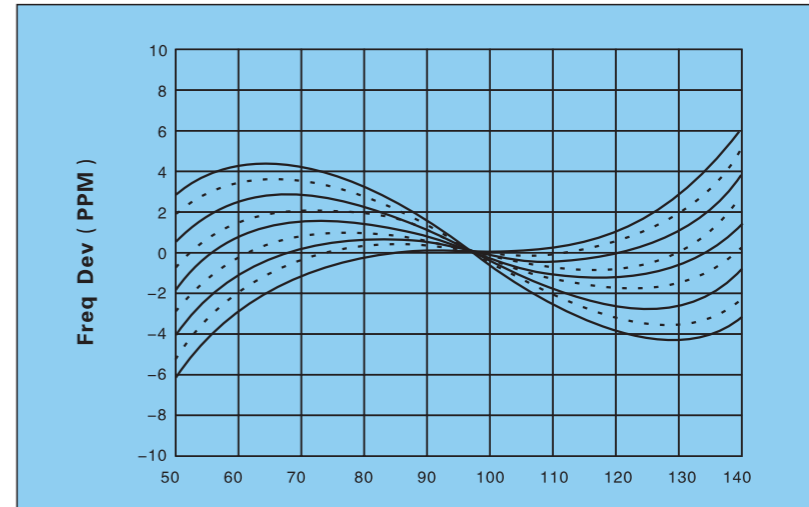
- JYEG Part number: HC-37U(JYC8) , HC-43U(JYCU), HC-45U(JYCU)
- Low aging
- Wide frequency range

TYPICAL SPECIFICATIONS

| Holder | HC/43U | HC/45U | HC/37U(KTO-8) |
|---------------------------------------|---|--|-----------------------------|
| Frequency (MHz) | 10MHZ~100MHZ | 12.8MHZ~100MHZ | 5MHZ,10MHZ |
| Cal.Tol (ppm)at Turn Over temperature | 客户规格定制 | 客户规格定制 | 客户规格定制 |
| Turn Over Temperature(°C) | 80~90°C ,92~105°C 客户规格定制 | 80~90°C ,92~105°C 客户规格定制 | 80~90°C ,92~105°C 客户规格定制 |
| Cut, Modle of vibration | SC-Fundamental SC-3vd SC-5th(70~10NHZ) | SC-Fundamental SC-3vd, SC-5th (70~100MHZ) | SC-3vd, |
| RR,C0,C1,Q | 客户规格定制 | 客户规格定制 | 客户规格定制 |
| Aging after 1month/year | ± 1PPb/日 ± 100PPb/年 | ± 1PPb/日 ± 100PPb/年 | ± 0.5PPb/日 ± 50PPb/年 |

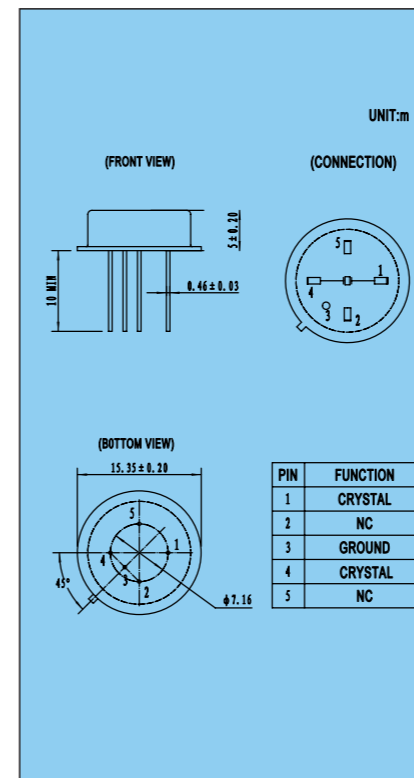
Quartz Crystals

SC Cut Frequency Variation with Temperature

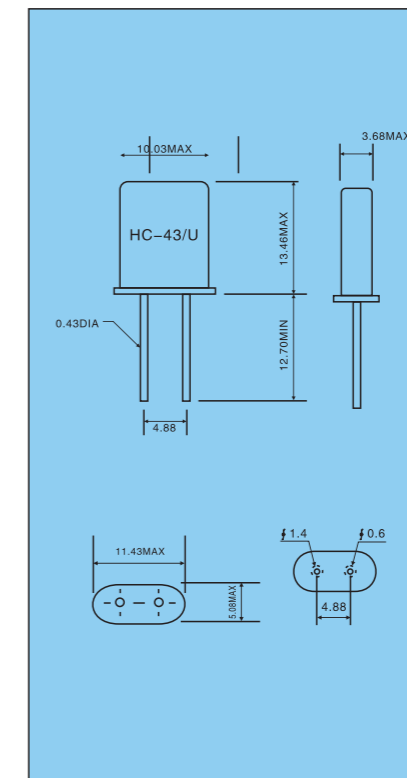


CRYSTAL

HC37/U



HC-43/U



HC-45/U

